

BALLAST/ROOF MOUNT

BALLAST/ROOF MOUNT

is a free standing structure designed for installation of up to eight radio units on horizontal or sloping surfaces.

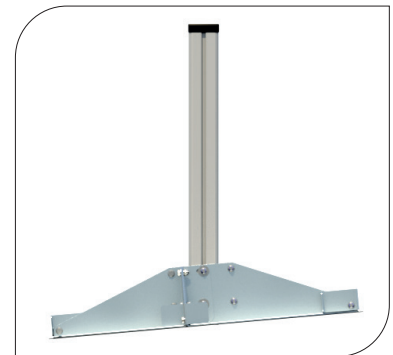
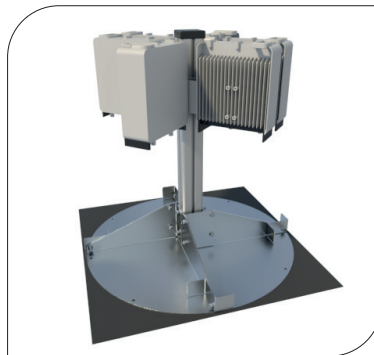
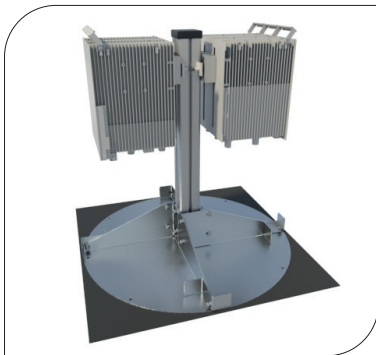
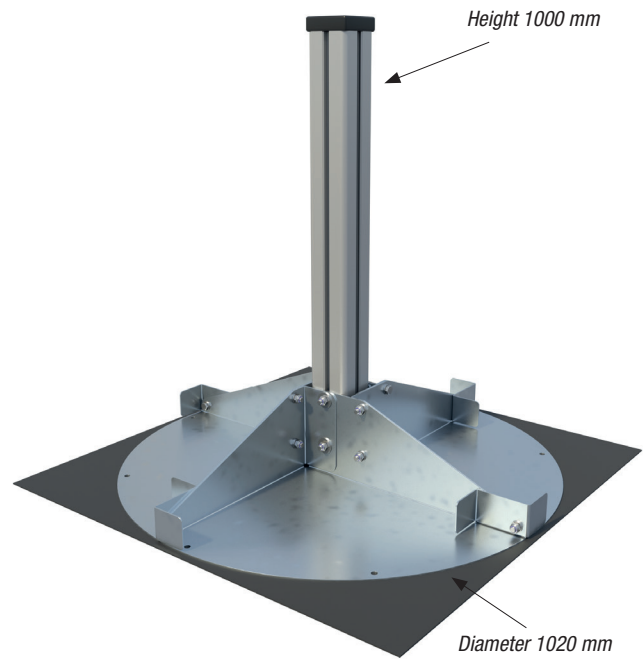
FLEXIBILITY

Almost any kind of radio units can be installed on the mount. The mount can be complemented with concrete slabs to improve performance.

It is also possible to bolt to the ground surface for total fixing of the mount.

QUALITY

All components are made of Magnelis steel, anodized aluminum and acid proof stainless steel which gives the mount excellent corrosion resistance. An EPDM rubber sheet is included to protect the roof.



ORDER AND TECHNICAL INFORMATION

DRAWING NO:	CD 991207			
FUNCTION DESCRIPTION:	Ballast/Roof Mount for installation of up to eight radio units on horizontal or sloping surfaces (up to 5°).			
MECHANICAL DATA:				
Plates:	Magnelis steel, corrosive category 5			
Beam:	Aluminium, nature anodized 20µm			
Fasteners:	Acid proof stainless steel			
PACKAGE DIMENSIONS:	LENGTH:	WIDTH:	HEIGHT:	WEIGHT:
	1120 mm (44 in)	480 mm (19 in)	220 mm (8.7 in)	46 kg (101 lb)
BALLAST:	Concrete slab 400 x 400 x 40 mm (16 x 16 x 1,6 in)			

NOTE! Ballast not included.